

VISION·3

LIGHTING

MR16 Up Light **MODEL FL16**
 12V 42W Max., MR16 Halogen
 12V 7.5W, 12/24V 6W, or 12V 10W LED

Specifications

Body

Machined 6061-T6 aluminum or C36000 brass body with industry standard 1/2"-14 NPSM external threads for mounting.

Cap

Machined cap locks in place with one 18-8 stainless steel set screw, and is sealed to the body with a high temperature silicone O-ring. Round C2 & C4 caps have drain holes for water drainage from top of lens. Square caps feature removable and field interchangeable cutoffs with 'flow-through' design for 360° drainage with no light leak. 'Flush Lens' cap styles incorporate a stepped lens to reduce the collection of water and debris on the lens.

Finish

TGIC thermo set polyester powder coat paint available in 14 standard colors. On aluminum model, finish is applied over a corrosion resistant, hexavalent chromium free, RoHS compliant coating. Aluminum model available in one additional metal finish: Clear Anodized. Brass model available in three additional metal finishes: Natural, Polished, and Aged.

Socket

GY-6.35 porcelain socket with 600V, 250°C, PTFE coated 18 ga leads.

Lens

Tempered, clear lens, secured to cap with a high temperature, UV curing, silicone adhesive. Stepped lens is used in 'Flush Lens' cap style options to reduce the collection of water and debris on the lens.

Lamps

MR16 Halogen: 12V bi-pin up to 42W (maximum allowable wattage depends on model and application. See Certification heading).

Integral LED: 12-24V AC/DC 6W (400lm) or 12V AC/DC 10W (700lm) LED options include integral driver with High/Low switch for 35W/20W (6W) or 50W/35W (10W) halogen equivalent outputs. LED Modules are field replaceable and feature replaceable lenses, an L70 > 60,000 hrs., dynamic transformer recognition, phase dimming (see Transformer and Dimmer Compatibility List), and patented LEDSense® thermal management.

Retrofit MR16 LED: 12V 7.5W (600lm) bi-pin retrofit Soraa™ MR16 LED lamp with specially engineered heat sink mount to ensure proper heat transfer to body. Note: Retrofit LED will overheat without supplied heat sink mount.

Certification

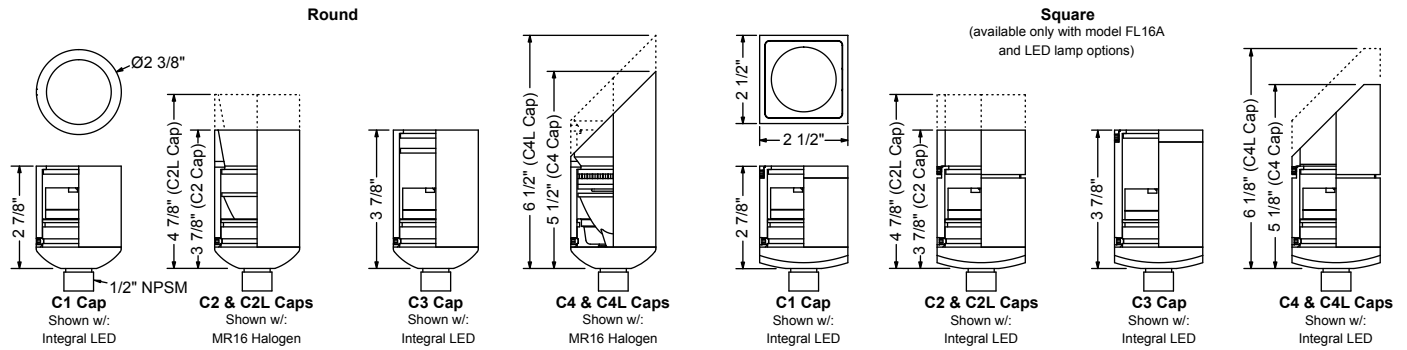
CSA tested & certified to US and Canadian safety standards for the following applications:

Wet location landscape use (UL1838):

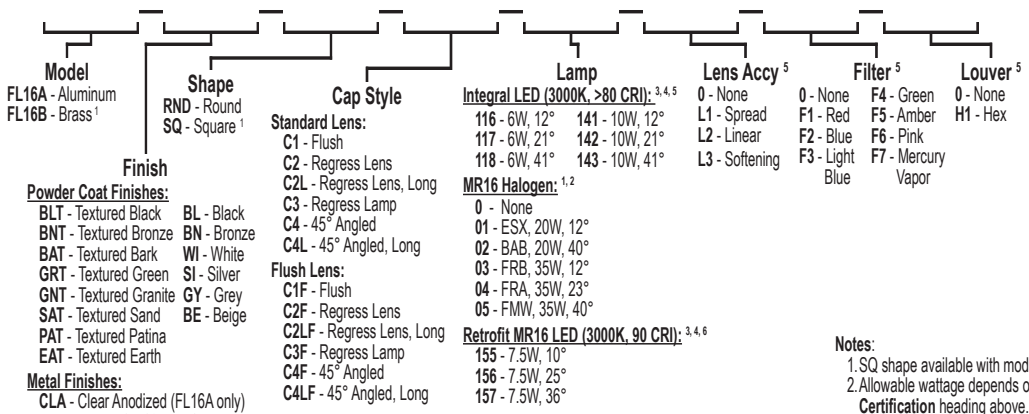
- FL16A (non-plastic mount) - 37W Max. MR16 Halogen lamp.**
- FL16A (plastic mount w/3" stem) - 20W Max. MR16 Halogen lamp.**
- FL16A (plastic mount w/6" stem) - 42W Max. MR16 Halogen lamp.**
- (3" min. stem must be used with a plastic mount)**
- FL16B (non-plastic mount) - 20W Max. MR16 Halogen lamp.**
- (FL16B with halogen lamp can not be used on a mount with plastic components).**

LED options can be used in all models and applications.

All ratings subject to change without notice. See website or contact V3 for most current info.



Ordering Information



- Finish**
- Powder Coat Finishes:**
- BLT - Textured Black BL - Black
 - BNT - Textured Bronze BN - Bronze
 - BAT - Textured Bark WI - White
 - GRT - Textured Green SI - Silver
 - GNT - Textured Granite GY - Grey
 - SAT - Textured Sand BE - Beige
 - PAT - Textured Patina
 - EAT - Textured Earth
- Metal Finishes:**
- CLA - Clear Anodized (FL16A only)
 - NAT - Natural (FL16B only)
 - POL - Polished (FL16B only)
 - AGE - Aged (FL16B only)

- Notes:**
1. SQ shape available with model FL16A and LED lamps only
 2. Allowable wattage depends on model and application. See Certification heading above.
 3. Only power LED lamp options with approved transformers (contact V3 for transformer and dimmer compatibility info).
 4. Other color temperatures available as a special order.
 5. Only two lens accessories can be used with Integral LED.
 6. Use only approved Retrofit MR16 LED lamps and supplied heat sink mount, otherwise LED may overheat.
 7. Specifications, certifications, and ordering information are subject to change. Please check website for latest specification sheets.

Example: **FL16A - BNT - RND - C2 - 02 - L1 - 0 - 0**